



SCHILL
connecting professionals

FT038 SPRING RETURN CABLE REEL

Large, robust wall, floor or ceiling mounting spring-retractable reel, IP44 rated. Suitable for commercial & industrial areas where longer cable lengths may be required.

The FT038 series is the largest of the spring retractable reels manufactured from sturdy thermoplastic, the reel is electrically insulated & corrosion resistant.

Depending on requirements, the desired length of cable is pulled out of the reel, leaving the remaining cable neatly stored on the reel safe from damage and dirt.

When the cable connection is no-longer required, a short pull on the ball-stop and the cable neatly rewinds.



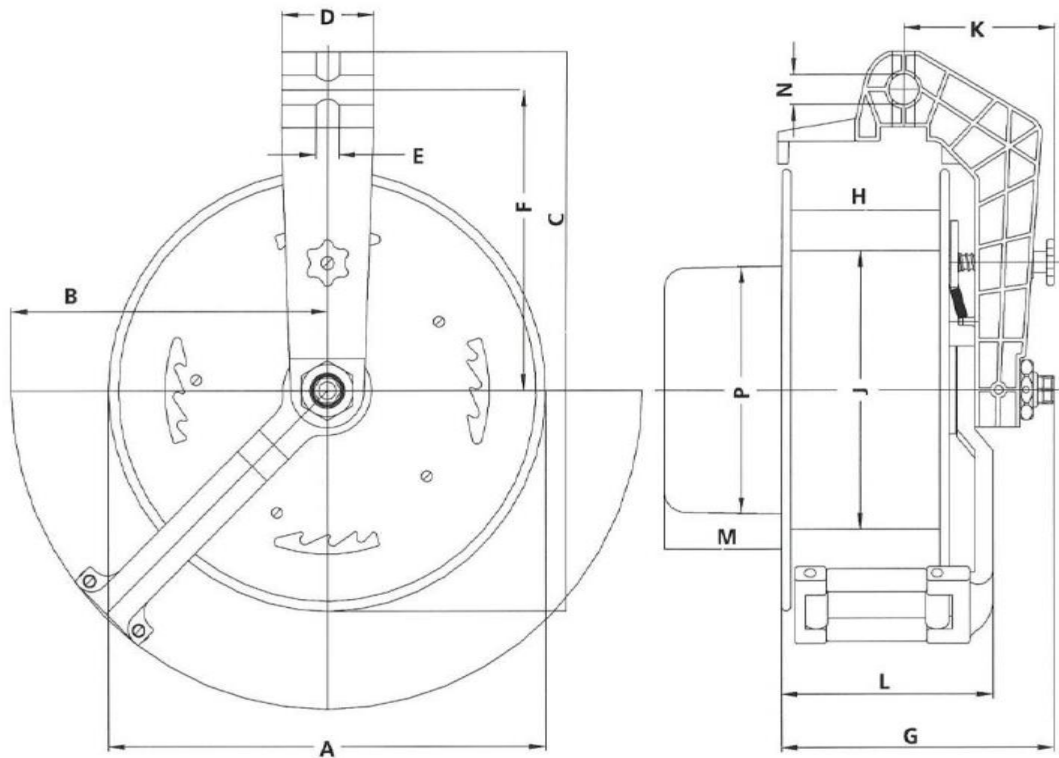
A spring-return cable reel means a safe & organized workplace.

Features:

- Load capacities up to 32A.
- Single & 3-phase 4 & 5-wire variants, including an earth-bonding version
- Multi-core variants up to x20 cores available
- Control voltage/Signal transfer collector option – up to x25 cores
- Uprated torque variant's for lifting non-standard loads up to 4Kg
- Cable lengths from 15m to 25m – 1.0mm² to 4mm², in HO7RN-F cables
- Wall, floor & ceiling brackets. (Wall bracket supplied as standard)
- Manual On/Off cable retraction ratchet
- Adjustable ball-stop
- High quality brass sliprings / sliver contacts
- Maintenance free ball-bearing axle
- IP44 protection
- Operating temp: 5°C to 60°C

Dimensions (mm):

A	B	C	D	E	F	G	H	J	K	L	M	N	P
380	267	482	80	20	258	237	130	240	131	185	102	25	210



Part numbers & specifications:

Part Number	Cable	Load Wound	Load Unwound	Weight Kg
FT038.0320	20m 3x1.5mm ²	8A	16A	13.0
FT038.0515	15m 5x1.5mm ²	6A	16A	14.0
FT038.0310	10m 3x2.5mm ²	8A	16A	12.0
FT038.0715	15m 7x1.5mm ²	6A	16A	16.0
FT038.0325	25m 3x1.0mm ²	4A	10A	12.0
FT038.0315.40	15m 3x4.0mm ²	16A	32A	14.0
FT038.0515.25	15m 5x2.5mm ²	9A	25A	16.0
FT038.0415	15m 4x1.5mm ²	6A	16A	13.0
FT038.0515.32	15m 5x4.0mm ²	14A	32A	17.0
FT038.1010.16	10m 10x1.5mm ²	6A	16A	16.0
FT038.2015	15m 20x1.0mm ²	4A	10A	11.0
FTE038.0120	20m 1x10mm ²	Earth-Bond Reel	-	11.0